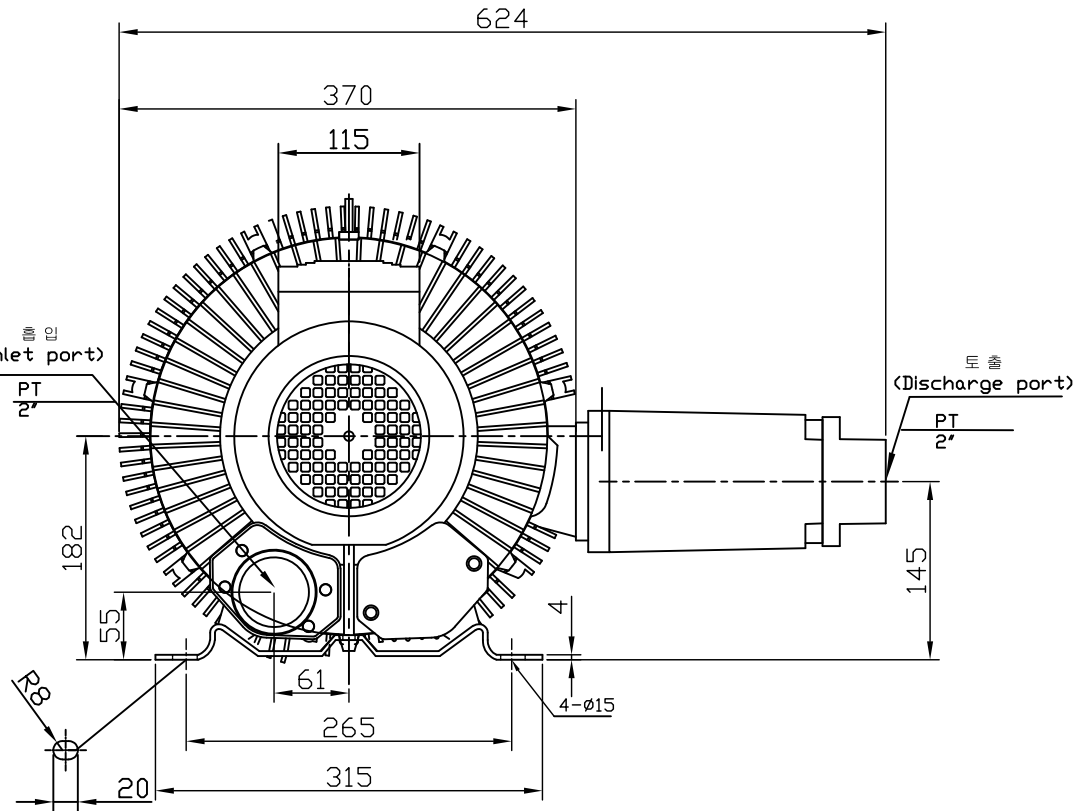
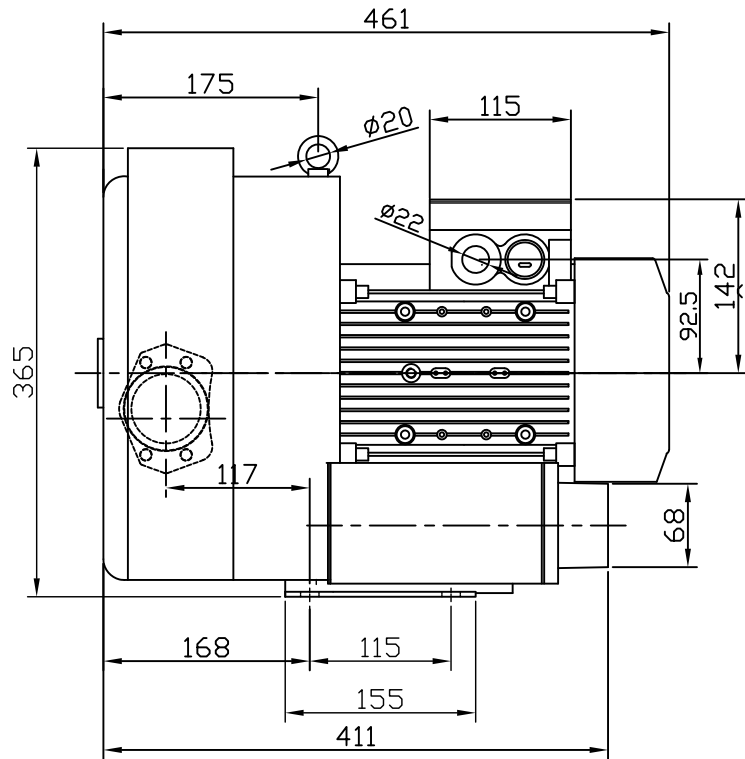
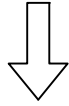



VIEW:B



VIEW:A



3Ø4.0kw2p

CUSTOMER					
MANUFACTURE		 (주)대하이엔지 DAEHA ENG Co., Ltd.			
TITLE					
RING BLOWER(Reg.Blower) DHB-702PH					
CONTRACT DWG NO.		0702PH003			
SCALE	PROJECT NO.	DRAWING NUMBER	MF-NO	TYPE	REV