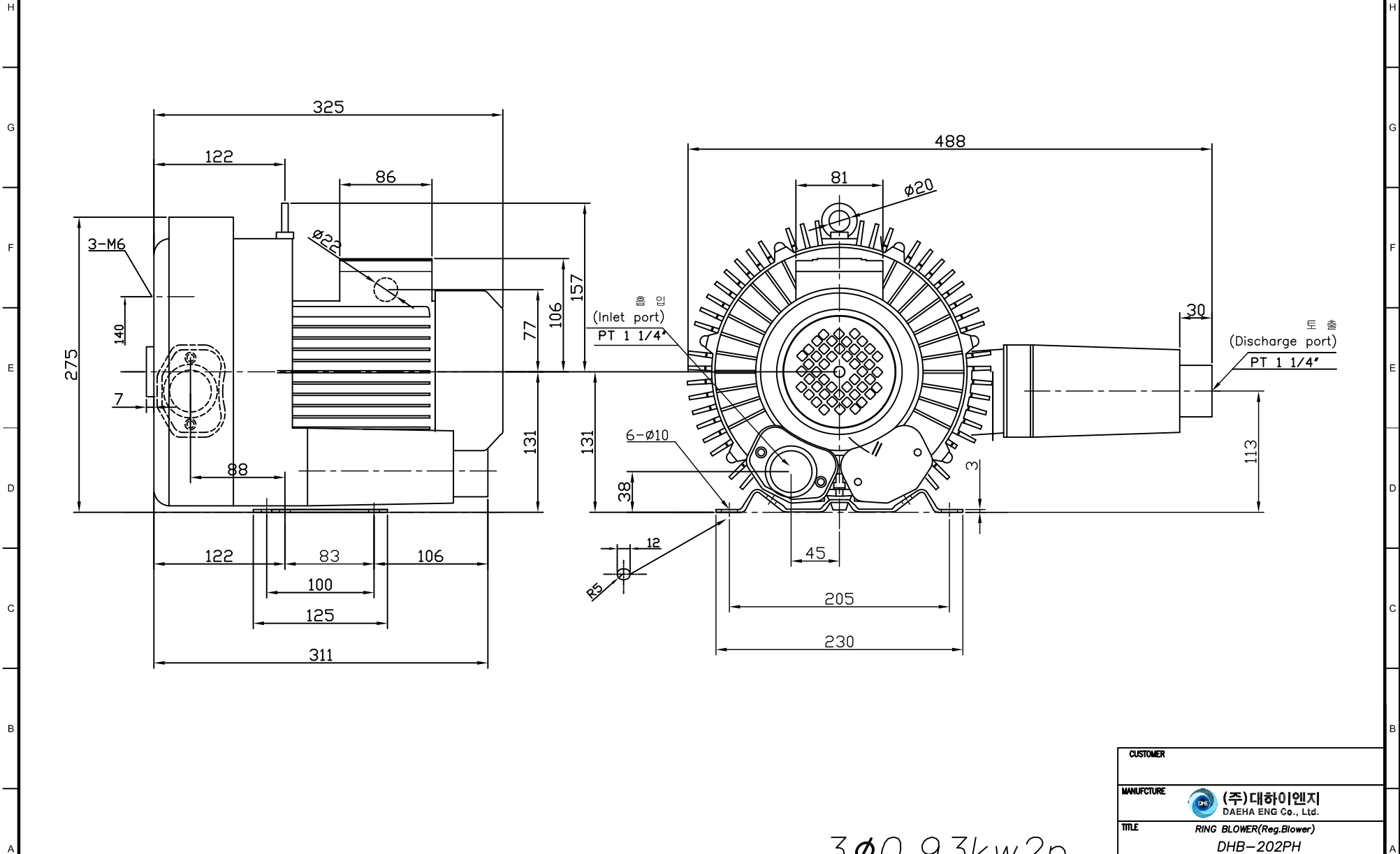



10 9 8 7 6 5 4 3 2 1



3 ϕ 0.93kw2p

CUSTOMER					
MANUFACTURE					
 (주)대하이엔지 DAEHA ENG Co., Ltd.					
TITLE					
RING BLOWER(Reg.Blower)					
DHB-202PH					
CONTRACT DWG NO.			0202PH0003		
SCALE	PROJECT NO.	DRAWING NUMBER	MF-NO	TYPE	REV

10 9 8 7 6 5 4 3 2 1