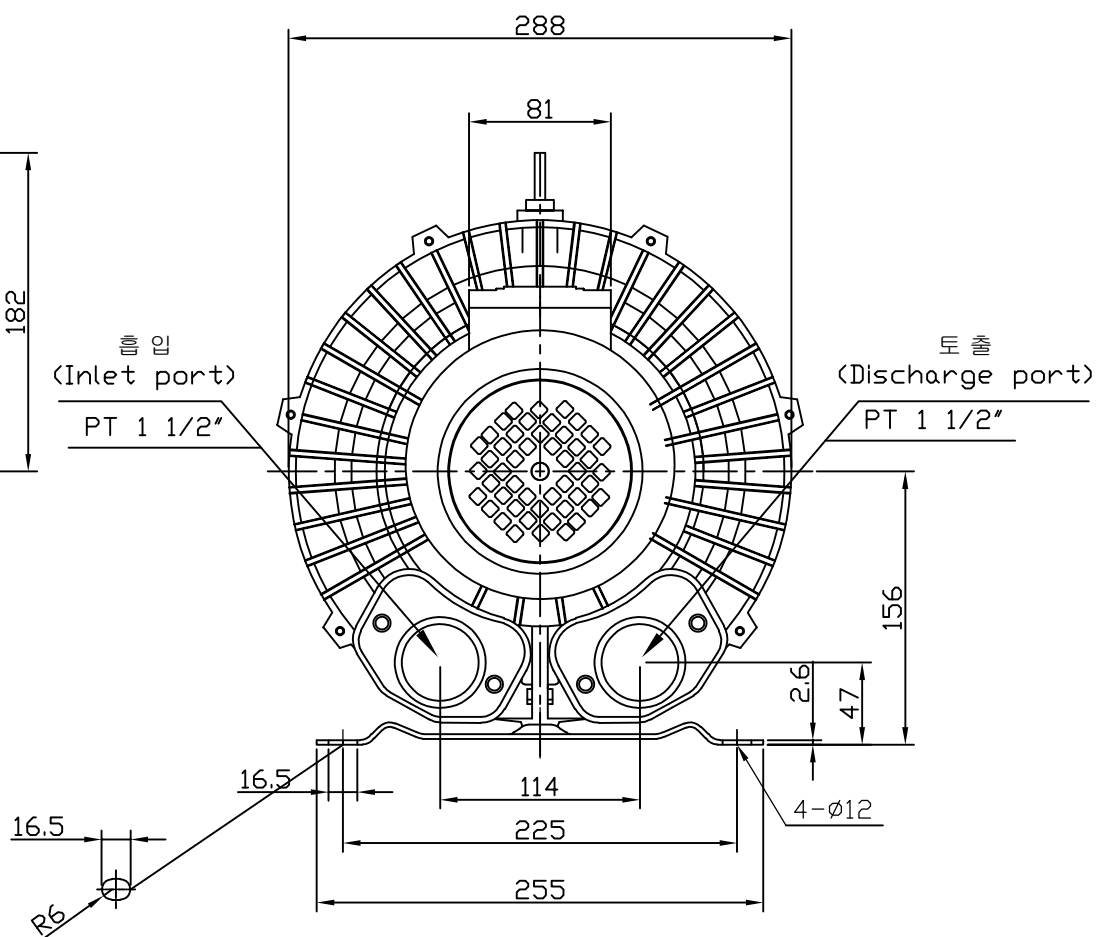
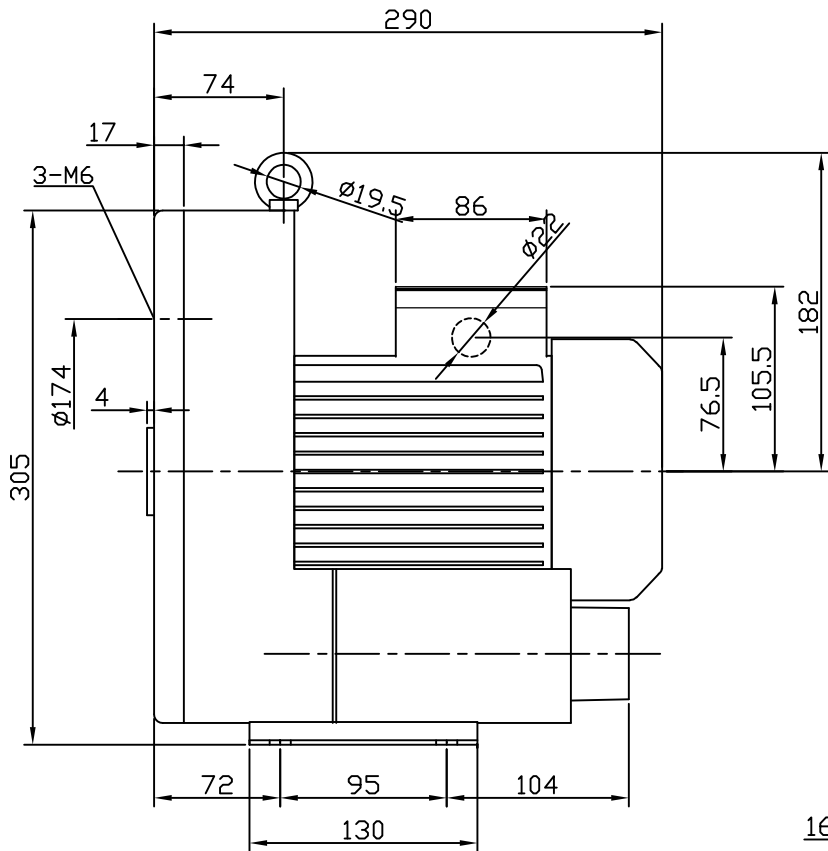



10 9 8 7 6 5 4 3 2 1

H  
G  
F  
E  
D  
C  
B  
A



3 $\phi$ 0.93kw2p

CUSTOMER				
MANUFACTURE		 (주)대하이엔지 DAEHA ENG Co., Ltd.		
TITLE				
RING BLOWER(Reg.Blower)				
DHB-200PH				
CONTRACT DWG NO.		0200PH0003		
SCALE	PROJECT NO.	DRAWING NUMBER	MF-NO	TYPE
				REV

H  
G  
F  
E  
D  
C  
B  
A

10 9 8 7 6 5 4 3 2 1